



Electric Water Tape Dispenser Manual

MODEL: NT-AT

VERSION: 202101

CONTENTS

SAFETY NOTICE	2
DISPENSER PARAMETERS	2
STRUCTURE INTRODUCTION	3
KEYPAD OPERATION INSTRUCTION	4
ROLL GUIDE INSTALLATION INSTRUCTION	5
TAPE INSTALLATION INSTRUCTION	5
UPPER TAPE PLATE INSTALLATION INSTRUCTION	6
BRUSH OPERATION INSTRUCTION	6
WATER BOTTLE OPERATION INSTRUCTION	7
MAINTENANCE INSTRUCTIONS	7

SAFETY NOTICE

Please use 200-230V power supply.

Avoid placing in direct sunlight and outdoors.

Please cut off the power quickly when break down.

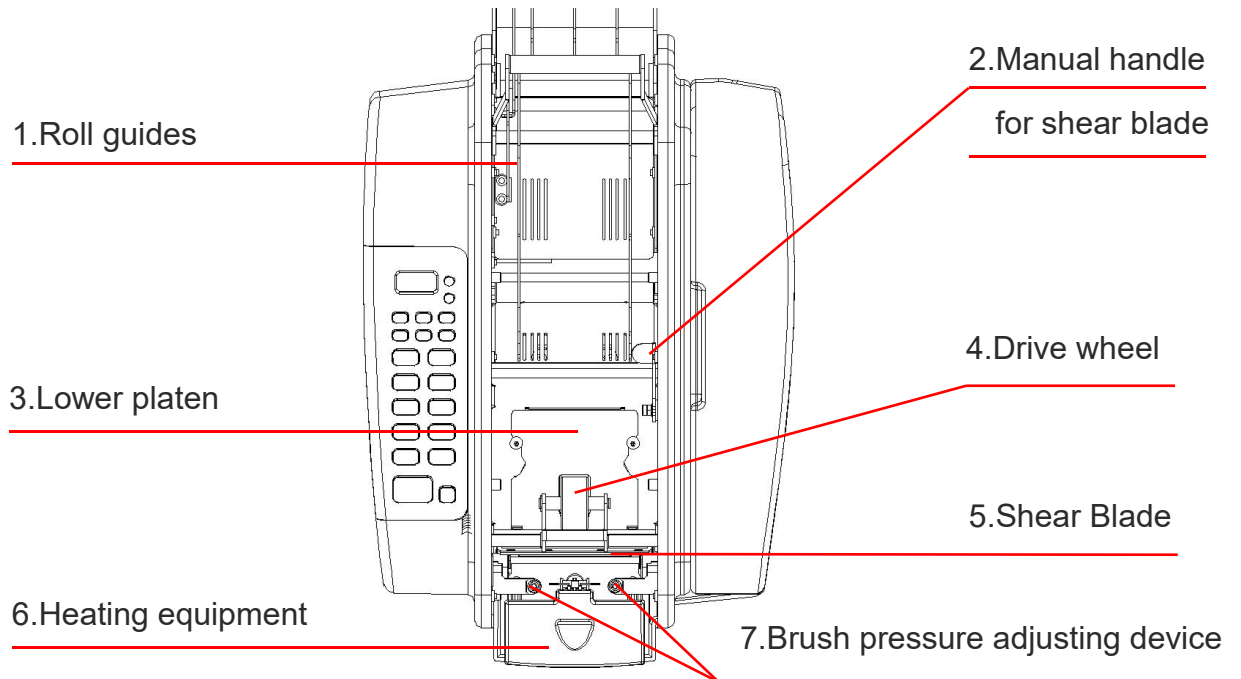
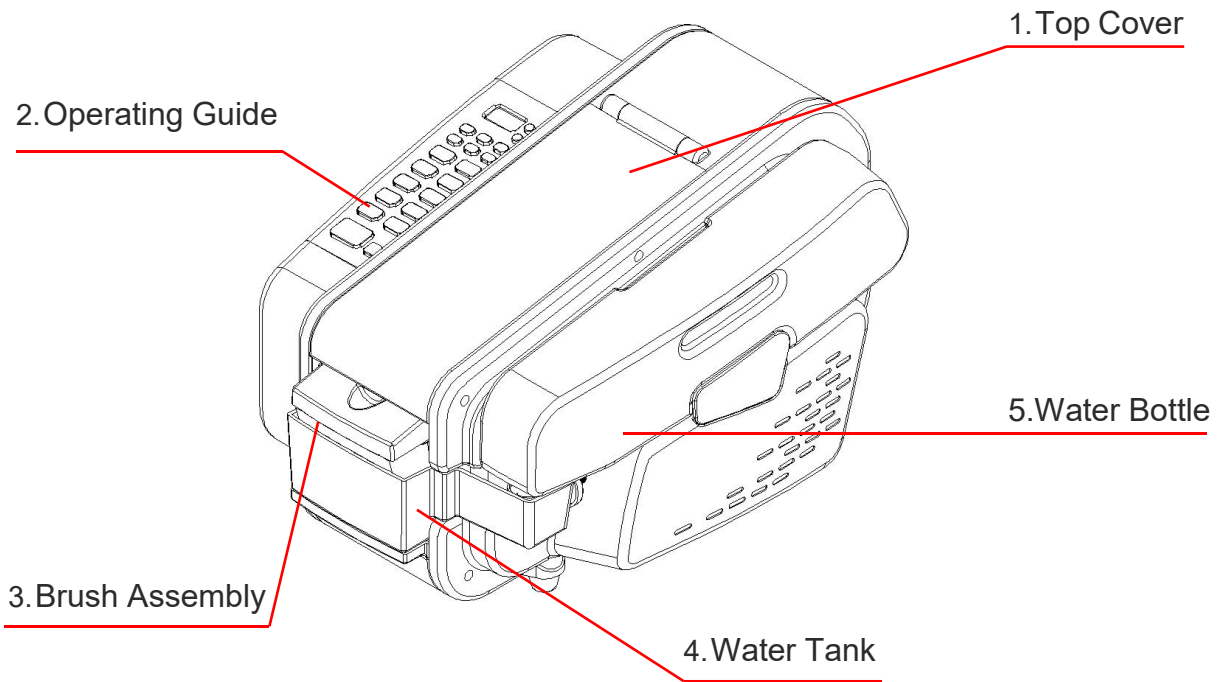
Please disconnect the power supply and remove the plug , when cleaning or repairing equipment.

Do not disassemble or repair equipment without the knowledge of engineer.

DISPENSER PARAMETERS

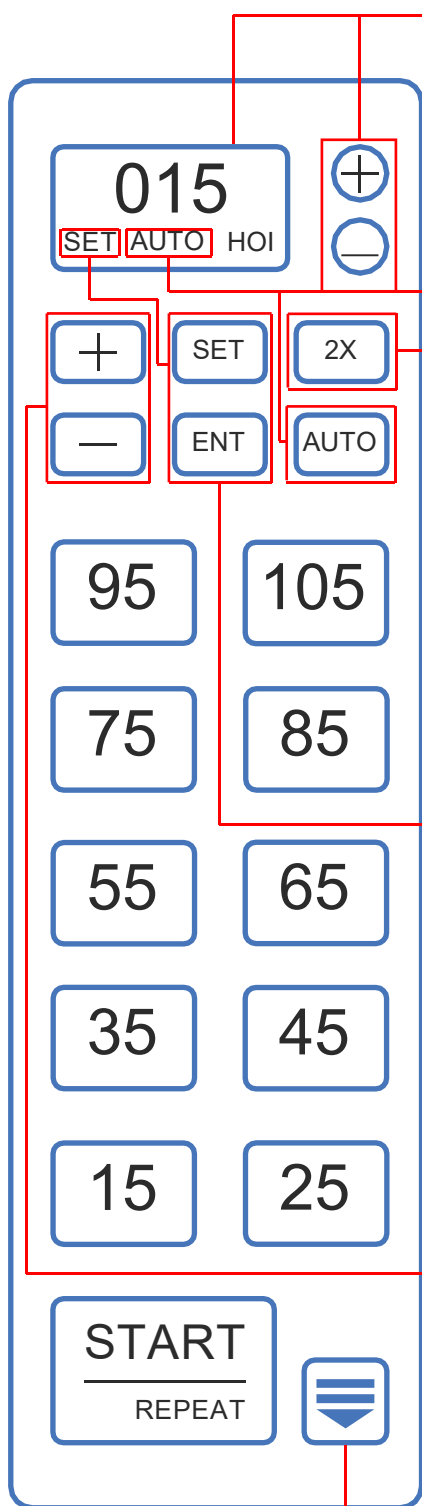
Voltage	Power	Speed	Weight	Size
200-230V	200W	30CM/S	12KG	45*32*28CM

STRUCTURE INTRODUCTION



KEYPAD OPERATION INSTRUCTIONS

Gear	Temperature
1	18°
2	36°
3	54°
4	72°
5	90°



Temperature Control button

H: 0 without temperature.

H: 1-5 different temperature ranges.

Summer setting: H-3 \ Winter setting: H-5

Auto continuous mode

Pressing the AUTO button, then press any value, the tape is dispensed, and the same length tape will be automatically dispensed. Press the AUTO button again to cancel the automatic mode.

Double length button

2X Button Doubles selected length.

For example, to dispense 30CM tape, first press the 2X Button, then press the button 15.

Programming mode

For example, to continuously dispense different sizes: 15-35-55CM.

First press the SET button to enter the programming mode;

Pressing the button accordingly: 15, 35, 55.

Press the ENT button to confirm and press the START button start to dispense.

Press the SET button again to cancel the programming mode.

Length adjustment button

Plus button adds 1 cm to selected length.

Minus button subtracts 1 cm from selected length.

For example, to dispense 17CM tape, press the plus button twice, and then press the button 15.

Press and hold the manual feed button the tape is dispensed continuously.

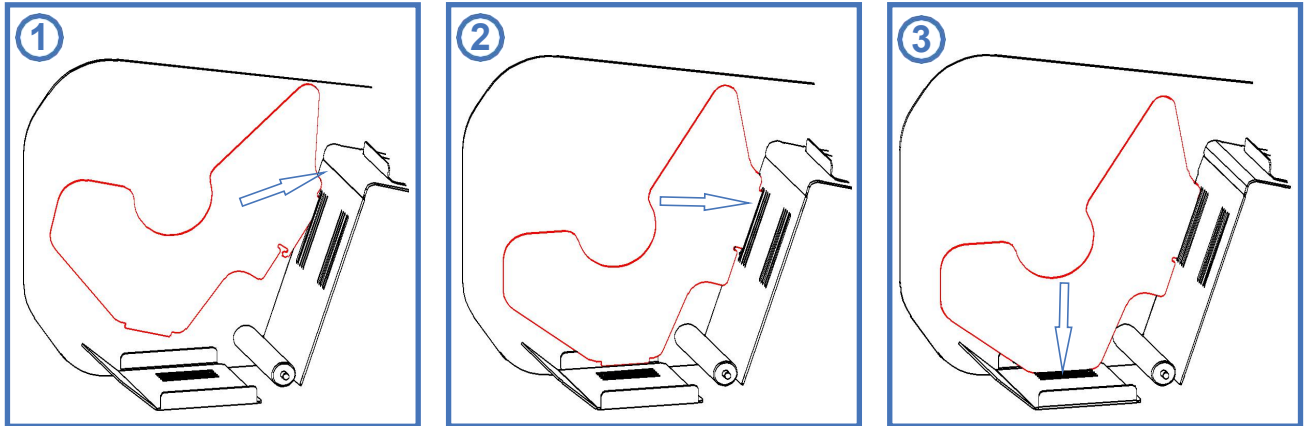
ROLL GUIDE INSTALLATION INSTRUCTION

According to the actual tape width, install the roll guides at its proper position.

See Figure 1, Insert the upper part of the roll guide into the front slot.

See Figure 2, Insert the lower end of the roll guide into the front slot.

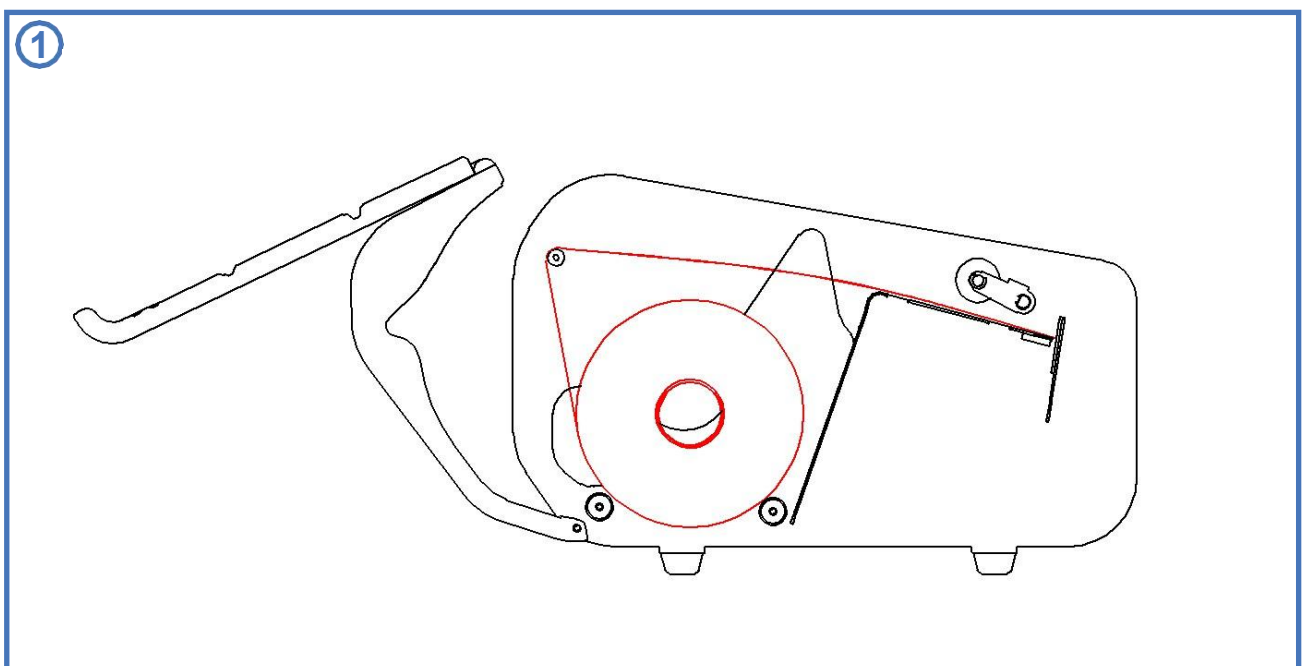
See Figure 3, Insert the roll guide into the bottom slot.



TAPE INSTALLATION INSTRUCTION

See Figure 1, pass the tape around the lift roller and pull it to the Drive wheel (Caution: Cut the end of the tape so that it has a clean, square end to feed under the drive wheel)

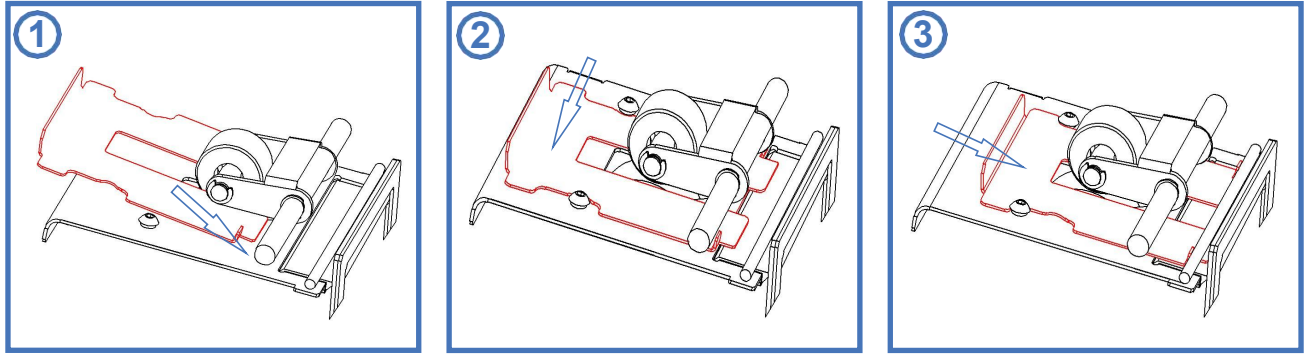
Pass the tape through the upper guide wheel and push it to the cutter.



UPPER TAPE PLATE INSTALLATION INSTRUCTION

Check the upper tape plate if is in its proper position.

Install the Upper Tape Plate as shown below.



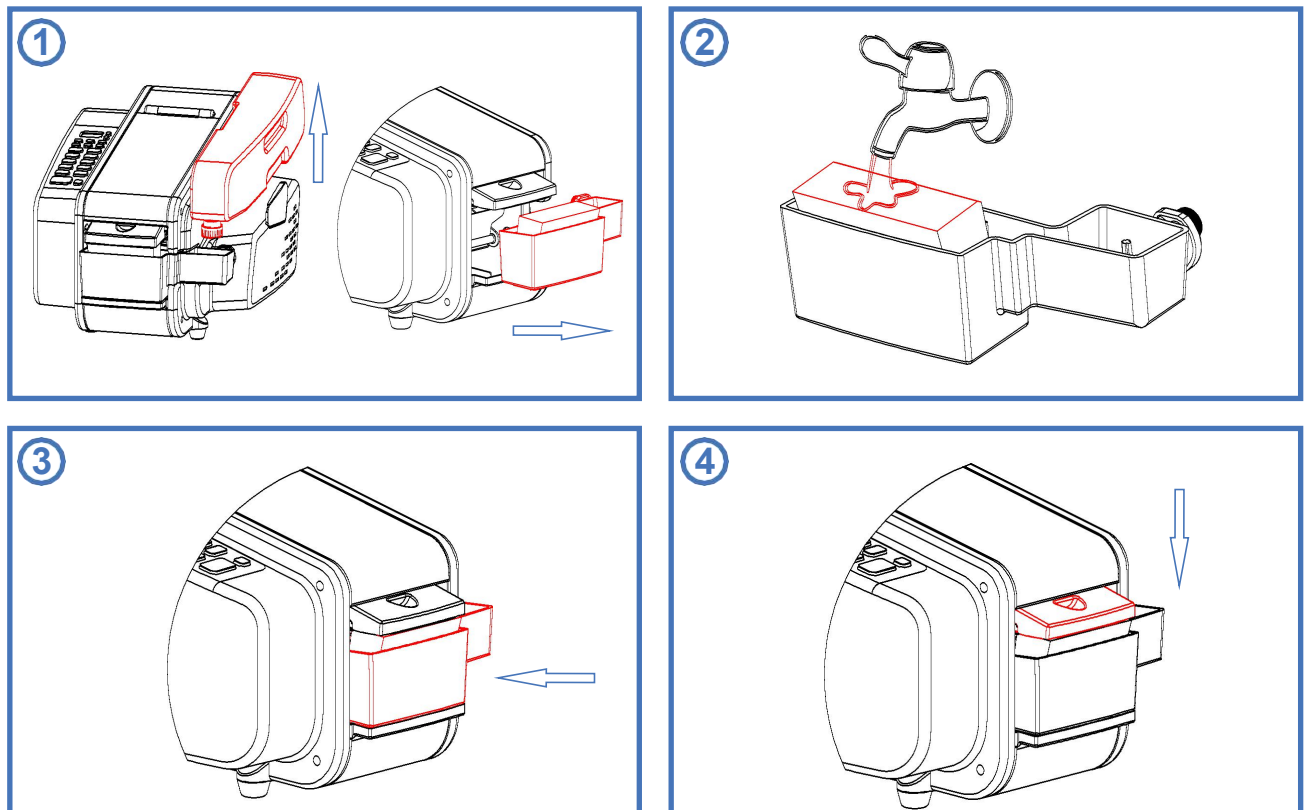
BRUSH OPERATION INSTRUCTION

As shown in Picture 1, first take out the water box to fill it with water, then take out the water tank.

As shown in Picture 2, water the top surface of the brush until the brush is completely soaked.

As shown in Picture 3, put back the water box, and then put back the water tank.

As shown in Picture 4, gently press down the red part with your hand to make it fully contact with the brush.

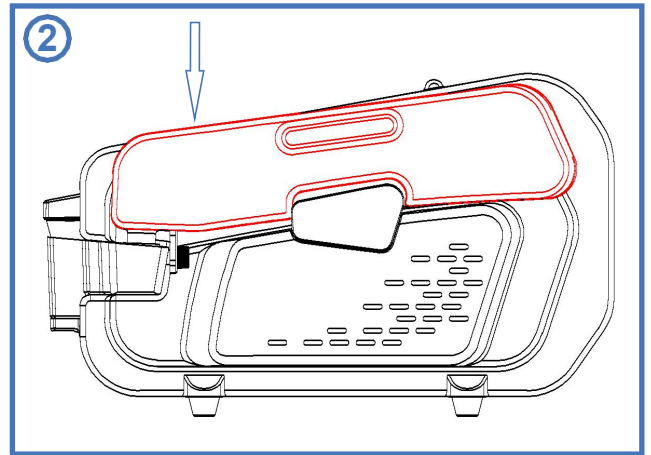
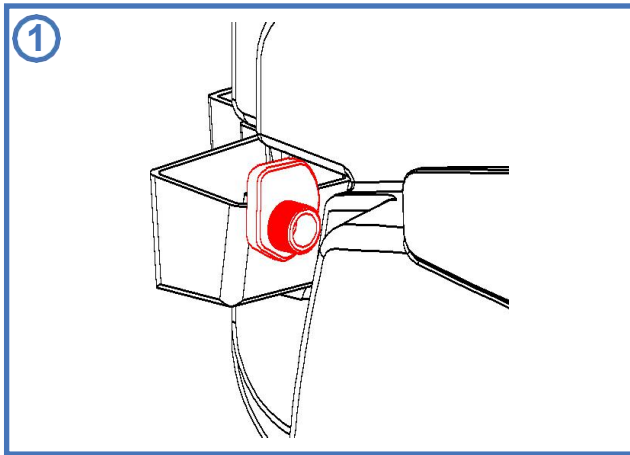


WATER BOTTLE OPERATING INSTRUCTION

Fill the bottle with water and place its proper position.

The water level in the water tank can be adjusted at the positions shown in Figure 1. Normally, the water level is adjusted to the highest level.

Caution: Pay attention to the amount of water remaining in the water bottle when using. Make sure the brush stays wet.



MAINTENANCE INSTRUCTIONS: ACCORDING TO THE ACTUAL USE TIME, REGULAR MAINTENANCE

As figure 1 show, clean and inject lubricant once a month.

Picture 2 If a paper jam is found, the amount of water applied is small or uneven, the tightness of the two screws indicated by the arrows can be adjusted.

The first time you use the tape, the sticky side of the tape has too little moisture. Please cut off several pieces of tape multiple times.

